

INSTALLATION MANUAL

1. Mounting.

Wall Hung Cabinet Mounting

Locate the furniture in your bathroom, see figure 1 & 2.

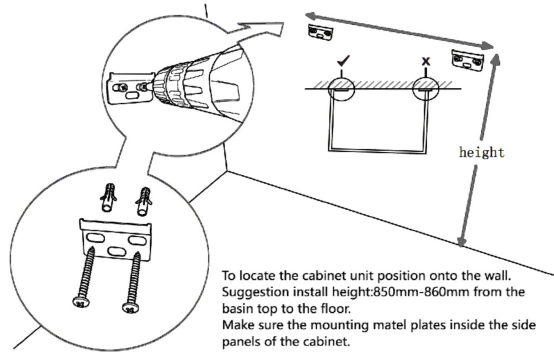


Figure1

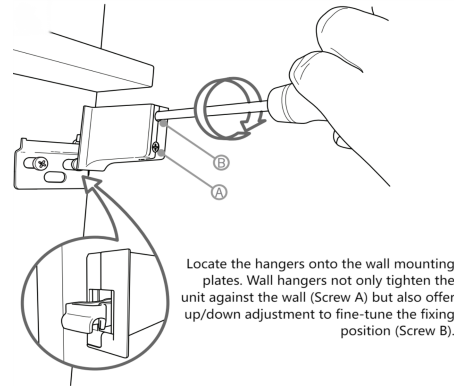


Figure2

Free Standing Cabinet Mounting

Locate the furniture in your bathroom, see figure 3 & 4.

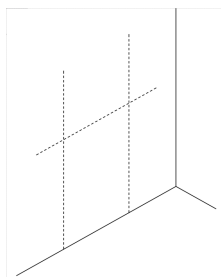


Figure3

>>> Set the furniture on the position.

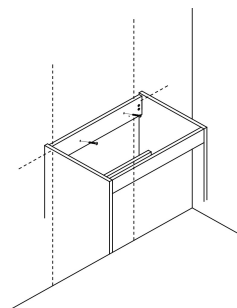


Figure4

Technical Helpline: 01452 317890

Email: technical@eastbrookco.com

Eastbrook Road, Gloucester GL4 3DB

2. Drawer Adjustment

Remove the drawer, see figure 5 .

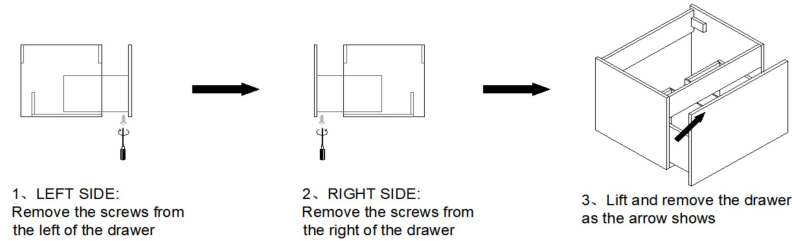


Figure5

Adjust the drawer, see figure 6 & 7.

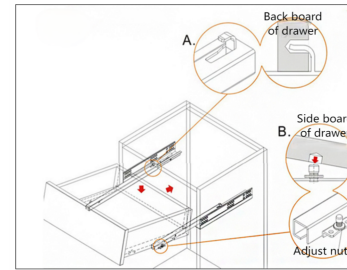


Figure6

>>> Adjust nut B: Fine tuning the front panel up/down
<<< Insert the drawer carcass into the runner (see the red arrows) and make sure the hole at the back of the drawer align with the hook(A) and the nut(B) align with the grub screw at the side of the drawer, so that the drawer could fit the runner well.

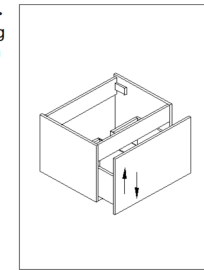
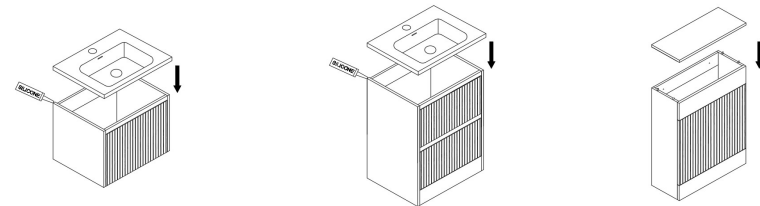


Figure7

3. Basin Fitting

When fitting the basin to this unit, you are required to apply an adequate sealing compound between the basin and unit to prevent potential water damage. But please don't use silicone between top and WC unit, in case you need to access to the cistern.



4. Product Maintenance

To maintain the surface finish of your product, please ensure:

- The room is well ventilated.
- Excess water which may sit on the surface is wiped dry.
- Any bathroom products being used which may splash on the surface are wiped clean.
- Any soap residue is wiped clean.
- Use only a clean damp cloth, no abrasive cleaning solutions or material can be used on the product, as this will invalidate your guarantee